

SPCO[®]
makes life easier



SCP
Heating and Circulation
Pumps

Approvals

		CB TEST CERTIFICATE	Ref. Certificate No. CH-0876
IEC SYSTEM FOR MUTUAL RECOGNITION OF TEST CERTIFICATES FOR ELECTRICAL EQUIPMENT (IECEE) CB SCHEME			
Issued by:	Electrosuisse		
Product:	Horizontal and vertical multistage pumps		
Applicant:	Swiss Pump Company AG	Mosweg 36 CH-3045 Gwatt (Thun)	Switzerland
Manufacturer:	Swiss Pump Company AG	Mosweg 36 CH-3045 Gwatt (Thun)	Switzerland
Factory:	Swiss Pump Company AG	Mosweg 36 CH-3045 Gwatt (Thun)	Switzerland
Rating and principal characteristics:	3 x 200 - 277/346 - 480V~, 50/60Hz; 220-230V~, 50/60Hz; 127-200-240V~, 60Hz class I, IP55		
Trade mark (if any):	Swiss Pump Company AG (SPCO)		
Model/Type reference:	HM..., CH..., VM..., CDL..., ND..., CC..., MB..., GB..., SBF..., CCP..., SCP..., see appendix table list in test report		
Additional information:	---		
Sample of product tested to be in conformity with IEC:	60335-1-041.1.am2 60335-2-41.041.3.am1.am2	National differences: EU Group Differences; EU Special National Conditions; EU A-Deviations	
Test Report Ref. No.:	0640-0218.01 + .02 + .03 + .05		
This CB Test Certificate is issued by the National Certification Body			
Electrosuisse Luppenstrasse 1, CH-8320 Fehraltorf			
Signed by:	Erich Christ 2010-07-27		page 1 of 1





Contents

Application	page	4
Design		4
Material		4
Operating conditions		4
Definition of model		5
Electric Motor		5
Product selection		6
Type Spectra		6
Tables		7
Product List		8
Technical data		10
Structure		32

Heating and Circulation Pumps

- SCP is Circulating pump research and developed by scientific research personnel of our company.
- SCP pump has following merits: no leakage, low noise, environmental protection, beautiful appearance, convenient installation, run responsible and so on. It is designed special for heating system and it can be used to supply water and add pressure for mansions of city, villa of suburb, house, to match with industrial equipment, to supply water in cycle for cooling air-condition, boiler and solar energy, supply hot water and keep warm in cycle.
- Pump casing with suction and delivery connections with the same diameter and on the same axis(in-line).
- With fittings.

Application

- Clean liquid without abrasives which are non-aggressive to the pump material.
- Civilian and industrial heating systems.
- Cooling and air-conditioning systems.

Design

- **Structure:** The product is made up of pump and single-phase shield motor.
The pump is made up of impeller, body of pump,etc.
The motor consists of stator, rotor, shield cover and deflating bolt.
- **Seal:** The pump is sealed with machinery sealing.
The stator and rotor of motor are sealed with stainless steel cover.
Other parts are all sealed with heat-resisting rubber facing ring, so that there is no leakage.
- **Lubricate:** Inside circulation way is adopted in the product.
The water between the stator and rotor can lubricate and cool the motor as the lubricate and coolant.

Material

- Pump body: Cast iron / Brass / Bronze
- Impeller: Plastic
- Shaft: Ceramic / Stainless Steel
- Bearings: Ceramic / Carbon

Usually, the pump body material of SCP pump adopt cast iron but we can adopt the brass, bronze, or stainless steel according to the customer's requirement.

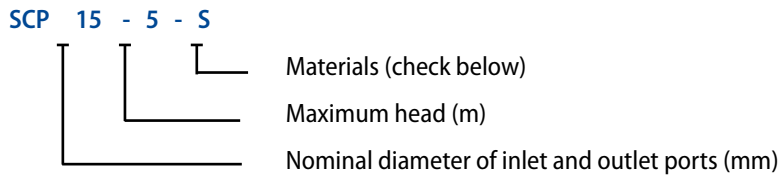
When the transport medium is clean water which is in the normal temperature, suggest you use cast iron.

Operating conditions

- Liquid temperature: 2C to 110C
- Ambient temperature: up to 40C
- Max. working pressure: 10bar

Transmitted liquid should not include solid impurity the volume of which ratio exceeds 0.1%.

Definition of Model



- S Three-gear motor (single gear without letter)
- Z Axial inlet direction(radial direction without letter)
- F Flange pipe connection(threaded connection without letter)
- C Pump installed with check valve
- P The plastic pump housing
- N Stainless-steel pump housing
- E Enamel pump housing(cast-iron housing without letter)
- B Bronze pump housing(cast-iron housing without letter)

Electric Motor

2-Pole induction motor.

Enclosure class: IP 44

Insulation class: H

Standard voltage: 1 x 230V, 60Hz , single-phase AC power

Production selection

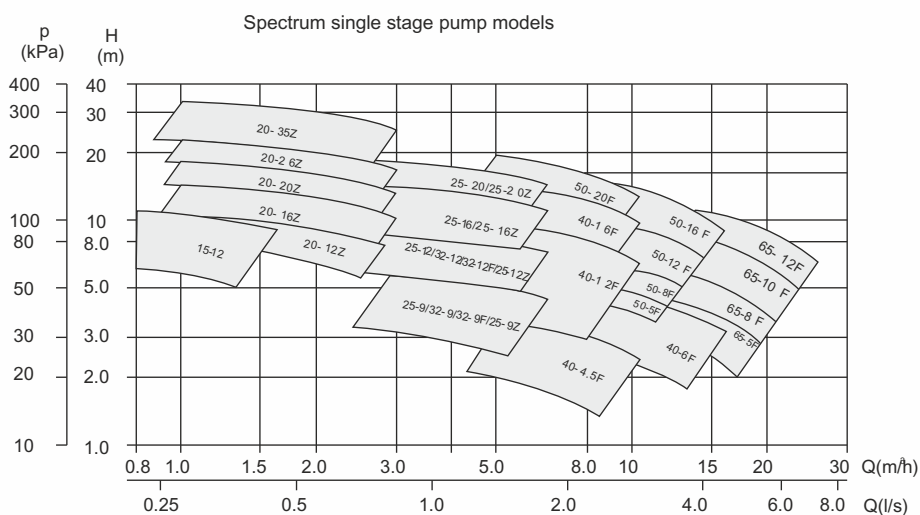
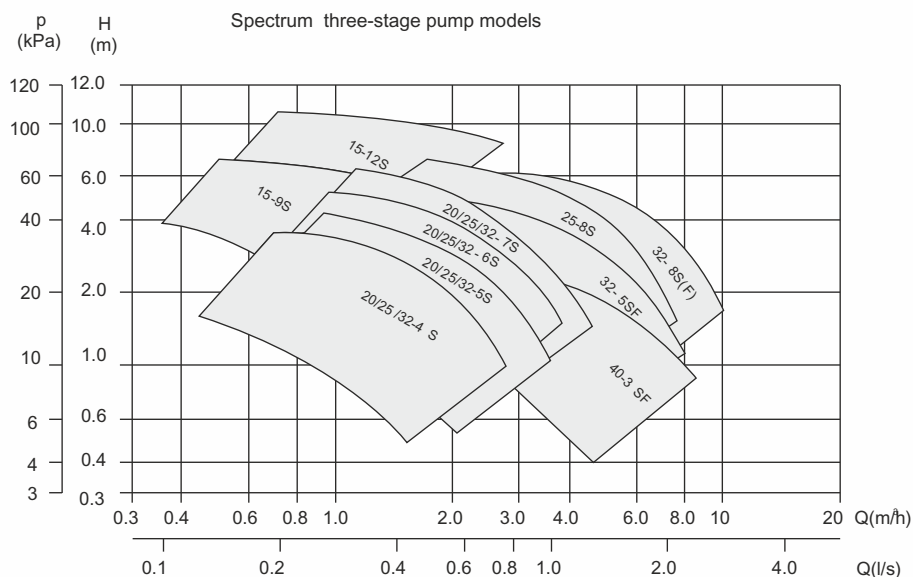
Users can select a model from the type spectra according to the requirement of head and flow.

SCP series have two kinds of pipe connections, threaded and flange. Models with power above 300W mainly have flange connection. We can make customized design according to your needs.

Pump housing is generally made of cast iron. Bronze and stainless steel pump housing is also available.

Pump with cast iron housing is widely used for delivering water for room heating. Pump with bronze housing is largely used in the floor heating system. For delivering domestic hot water we recommend using pump with stainless steel housing(SCP-N) or bronze housing(SCP-B).

Type Spectra



Tables

For pumps with power below 270W, the inlet minimum water pressure should be maintained as following:

Liquid Temperature	85°C	90°C	110°C
Inlet Pressure	6 Head(m)	7.5 Head(m)	15 Head(m)
	0.6 bar	0.75 bar	1.5 bar

For pumps with power above 300W, the inlet minimum water pressure is different for each model, see following details:

Model	Liquid Temperature		
	70°C(bar)	90°C(bar)	110°C(bar)
SCP40-4.5F	0.35	0.75	1.45
SCP40-6F	0.15	0.75	1.2
SCP50-5F	0.35	0.75	1.05
SCP50-8F	0.15	0.75	1.2
SCP25-9	0.35	0.75	1.2
SCP32-9	0.35	0.75	1.2
SCP15-12	0.3	0.75	1.3
SCP25-12	0.4	0.75	1.4
SCP32-12	0.4	0.75	1.4
SCP32-9F	0.35	0.75	1.2
SCP32-12F	0.4	0.75	1.4
SCP25-16	0.8	1.1	1.7
SCP25-20	0.7	0.95	1.6
SCP40-12F	0.35	0.75	1.15
SCP40-16F	0.4	0.75	1.4
SCP50-12F	0.4	0.75	1.4
SCP50-16F	0.35	0.75	1.35
SCP50-20F	0.85	1	1.6
SCP65-5F	0.45	0.75	1.2
SCP65-8F	0.45	0.75	1.2
SCP65-10F	0.9	1.2	1.9
SCP65-12F	0.7	1	1.7
SCP25-9Z	0.35	0.75	1.2
SCP25-12Z	0.4	0.7	1.4
SCP20-12Z	0.45	0.75	1.6
SCP20-16Z	0.65	1.05	1.85
SCP25-16Z	0.8	1.1	1.7
SCP25-20Z	0.7	0.95	1.6
SCP20-20Z	0.8	1.1	1.7
SCP20-26Z	0.8	1.1	1.7
SCP20-35Z	0.5	1.05	1.7

Product List

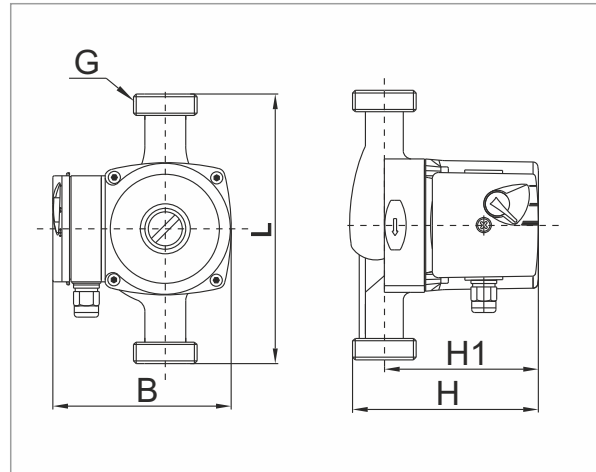
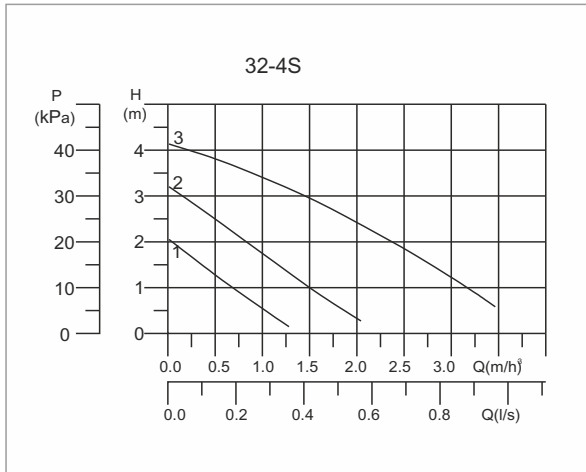
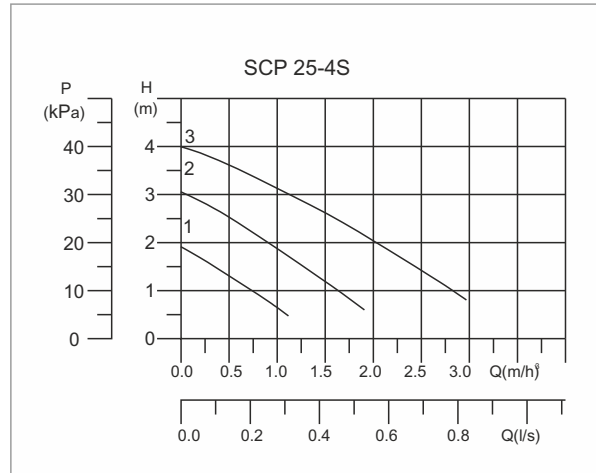
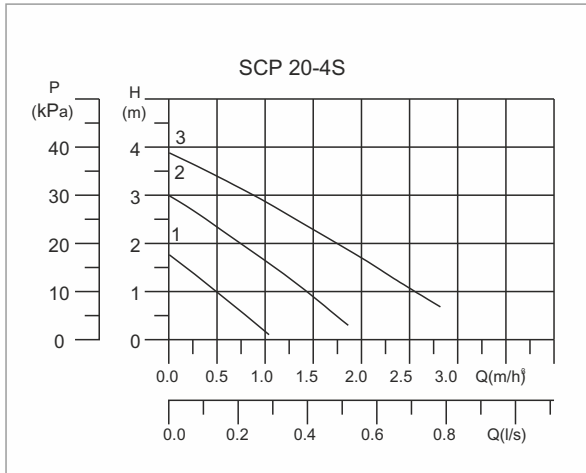
Parameter Table for 270W pumps and below

Model	Power (w)		Max. Flow (m/h)	Rated Power (w)	Rated Current (A)	Voltage (V)		Housing material			
	Input	Output				115	230	Cast Iron	Plastic	Copper	Stainless steel
SCP20-4S	65	20	2.8	65/ 50/ 32	0.28/0.22/0.15	•	•	• ○	•	•	•
SCP25-4S			3.0			•	•	•	•	•	
SCP32-4S			3.5			•	•	•			
SCP20-5S	85	25	2.8	85/ 60/ 40	0.4 /0.3 /0.22	•	•	• ○	•	•	•
SCP25-5S			3.3			•	•	•	•	•	
SCP32-5S			4.0			•	•	•			
SCP20-6S	100	30	2.8	100/ 70/ 55	0.45/0.35/0.25	•	•	• ○	•	•	•
SCP25-6S			3.3			•	•	•	•	•	
SCP32-6S			4.0			•	•	•			
SCP20-7S	140	45	3.5	130/110/ 90	0.6 /0.52/0.42	•	•	• ○	•	•	•
SCP25-7S			4.0			•	•	•	•	•	
SCP32-7S			4.5			•	•	•			
SCP15-9S	120	40	1.8	120/ 80/ 65	0.5 /0.4 /0.3	•	•	• ○			
SCP15-12S	270	120	3.5	270/240/160	1.2 /1.1 /0.75	•	•	• ○			
SCP25-8S	245	90	6.0	245/190/135	1.1 /0.85/0.60	•	•	• ○	•	•	
SCP32-8S			8.0			•	•	•			•
SCP32-5SF	145	60	8.0	145/135/ 95	0.65/0.6 /0.45	•	•	•			
SCP32-8SF	245	90	8.0	245/190/135	1.1 /0.85/0.60	•	•	•			
SCP40-3SF	145	60	8.0	145/120/100	0.65/0.53/0.45	•	•	•			

Parameter Table for 300W pumps and above

Model	Power (w)		Rated flow (m ³ /h)	Rated head (m)	Rated Current (A)	Voltage (V)		Housing material	
	Input	Output				115	230	Cast Iron	Copper
SCP25-9	300	150	5	5	1.5	•	•	•	
SCP32-9			5	5	1.5	•	•	•	
SCP15-12			1.25	10	1.5	•	•	•	
SCP25-12	500	280	5	8	2.5		•	•	
SCP32-12			5	8	2.5		•	•	
SCP25-16	700	400	5	12.5	3.4		•	•	
SCP25-20	1000	600	5	16	4.9		•	•	
SCP32-9F	300	150	5	5	1.5	•	•	•	
SCP32-12F	500	280	5	8	2.5		•	•	
SCP40-4.5F	300	150	8	3	1.5	•	•	•	
SCP40-6F	500	280	12.5	4	2.5		•	•	
SCP50-5F	300	150	10	3	1.5	•	•	•	
SCP50-8F	500	280	8	5	2.5		•	•	
SCP40-12F	700	400	8	8	3.4		•	•	
SCP40-16F	1000	600	8	12.5	4.9		•	•	
SCP50-12F	1000	600	12.5	8	4.9		•	•	
SCP50-16F	1300	850	12.5	12.5	5.8		•	•	
SCP50-20F			8	16	5.8		•	•	
SCP65-5F	700	400	15	3	3.4		•	•	
SCP65-8F			16	6	3.4		•	•	
SCP65-10F	1000	600	18	7	4.9		•	•	
SCP65-12F	1300	850	20	10	5.8		•	•	
SCP25-9Z	300	150	5	5	1.5	•	•	•	
SCP25-12Z	500	280	5	8	2.5		•	•	
SCP20-12Z	300	150	2	8	1.5	•	•	• ○	•
SCP20-16Z	500	280	2	12.5	2.5		•	• ○	•
SCP25-16Z	700	400	5	12.5	3.4		•	• ○	
SCP25-20Z	1000	600	5	16	4.9		•	• ○	
SCP-20Z	700	400	2	16	2.5		•	• ○	•
SCP-26Z	1000	600	3	20	4.9		•	• ○	•
SCP-35Z	1300	850	2	32	5.8		•	• ○	•

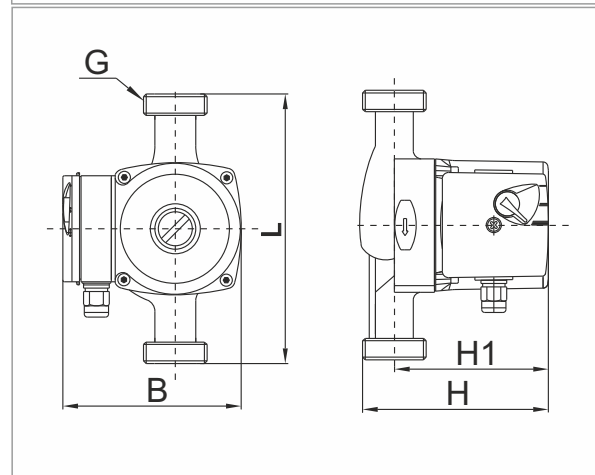
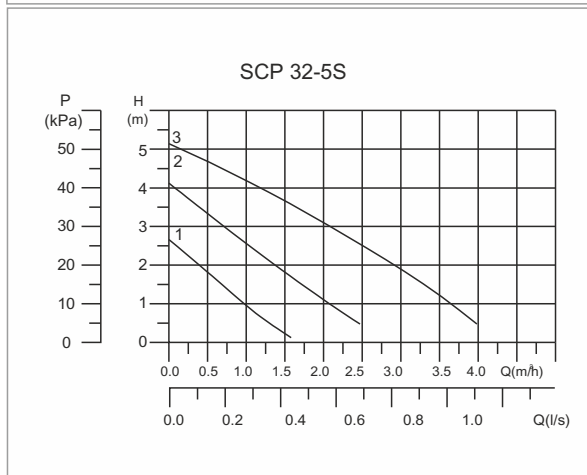
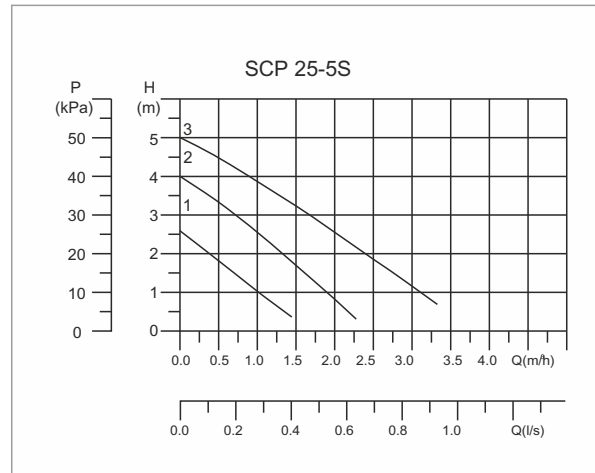
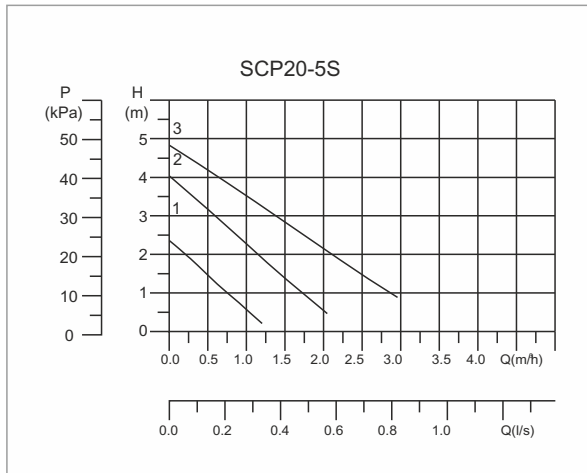
SCP20/25/32-4S



Model	Max. Flow (m³/h)	Rated Power (W)	Rated Current (A)	Power (W)	Voltage (V)		Material of pump housing				
				Input/Output	115	230	Cast Iron Enamelled	Plastic	Copper	Stainless steel	
SCP20-4S	2.8	65/50/32	0.28/0.22/0.15	65/20	●	●	●	○	●	●	●
SCP25-4S	3.0				●	●	●		●	●	
SCP32-4S	3.5				●	●	●				

Model	Dimensions					Weight (Kg)		Volume (m³)	Connection/Flange	Package size (mm × m × mm)	
	L	H	H1	B	G	N.W.	G.W.			Inner box	Outer box
SCP20-4S	130	130	105	130	1"	2.1	2.4	0.0035	1"-3/4"	170 × 140 × 145	350 × 290 × 300
SCP25-4S	130/180	130	105	130	1 1/2"	2.4	3	0.0041	1 1/2"-1"	170 × 140 × 145 200 × 140 × 145	350 × 290 × 300 410 × 290 × 300
SCP32-4S	180	130	105	130	2"	2.7	3.5	0.0041	2"-1 1/4" or 1 1/2"	200 × 140 × 145	410 × 290 × 300

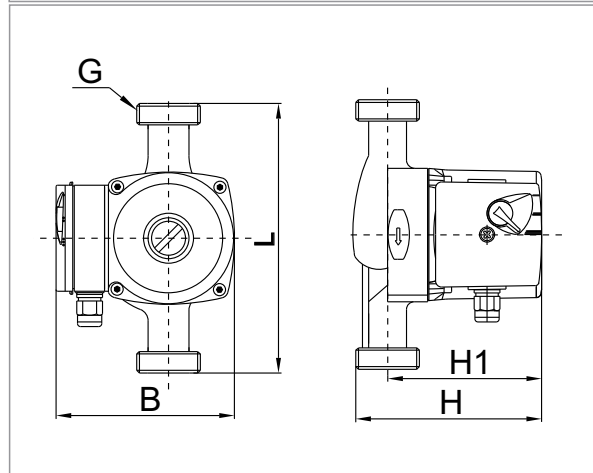
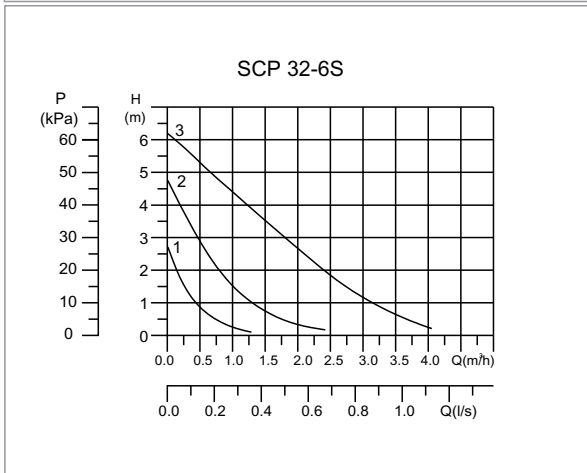
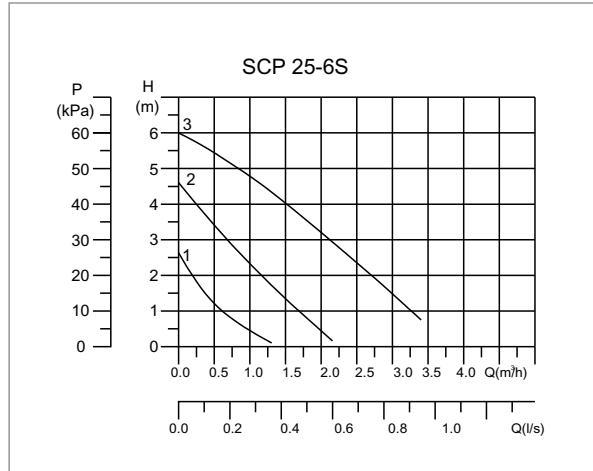
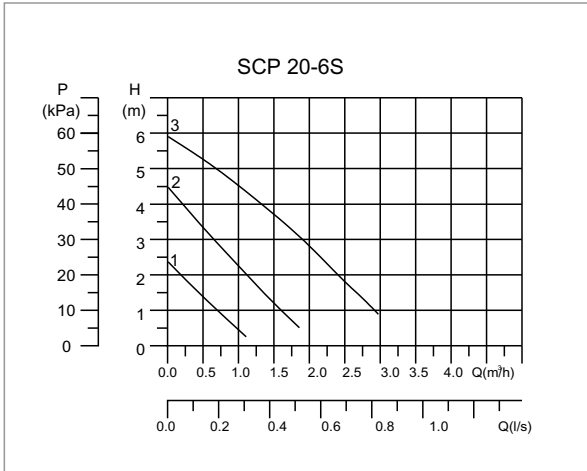
SCP20/25/32-5S



Model	Max. Flow (m³/h)	Rated Power (W)	Rated Current (A)	Power (W)	Voltage (V)	Material of pump housing					
				Input/Output	115	230	Cast Iron Enamelled	Plastic	Copper	Stainless steel	
SCP20-5S	2.8	85/60/40	0.4/0.3/0.22	85/25	●	●	●	○	●	●	●
SCP25-5S	3.3				●	●	●		●	●	
SCP32-5S	4.0				●	●	●				

Model	Dimension					Weight (Kg)		Volume (m³)	Connection/Flange	Package size (mm×m m× mm)	
	L	H	H1	B	G	N.W.	G.W.			Inner box	Outer box
	SCP20-5S	130	130	105	130	1"	2.3	2.6	0.0035	1"-3/4"	170×140×145
SCP25-5S	130/180	130	105	130	1 1/2"	2.6	3.2	0.0041	1 1/2"-1"	170×140×145 200×140×145	350×290×300 410×290×300
SCP32-5S	180	130	105	130	2"	2.9	3.8	0.0041	2"-1 1/4" or 1 1/2"	200×140×145	410×290×300

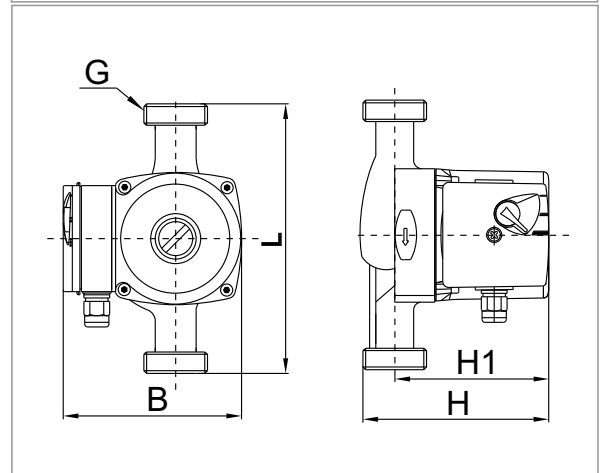
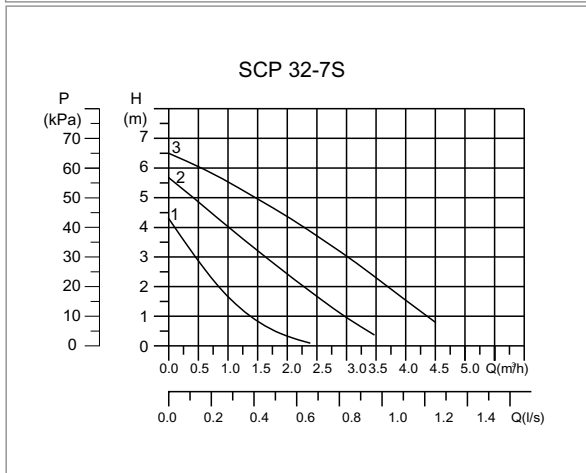
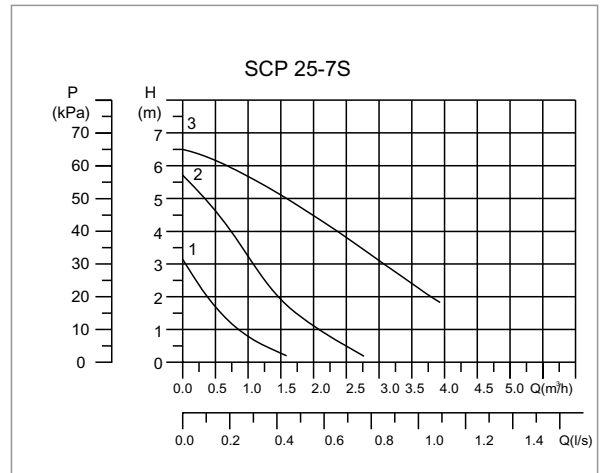
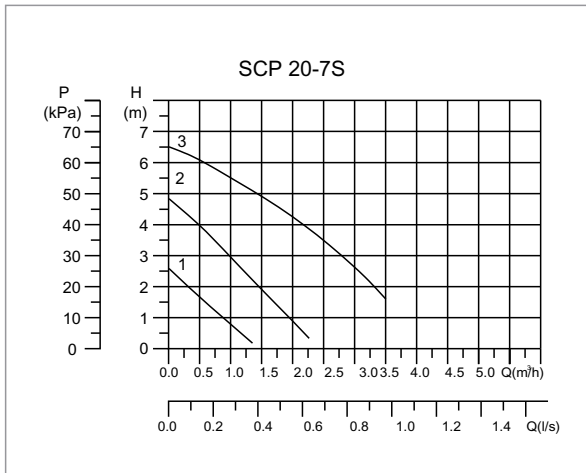
SCP20/25/32-6S



Model	Max. Flow (m³/h)	Rated Power (W)	Rated Current (A)	Power (W)	Voltage (V)	Material of pump housing					
				Input/Output	115	230	Cast Iron Enamelled	Plastic	Copper	Stainless steel	
SCP20-6S	2.8	100/70/55	0.45/0.35/0.25	100/30	●	●	●	○	●	●	●
SCP25-6S	3.3				●	●	●		●	●	
SCP32-6S	4.0				●	●	●				

Model	Dimensions					Weight (Kg)		Volume (m³)	Connection/Flange	Package size (mm × m × mm)	
	L	H	H1	B	G	N.W.	G.W.			Inner box	Outer box
	SCP20-6S	130	130	105	130	1"	2.3	2.6	0.0035	1"-3/4"	170 × 140 × 145
SCP25-6S	130/180	130	105	130	1 1/2"	2.6	3.2	0.0041	1 1/2"-1"	170 × 140 × 145 200 × 140 × 145	350 × 290 × 300 410 × 290 × 300
SCP32-6S	180	130	105	130	2"	2.9	3.8	0.0041	2"-1 1/4" or 1 1/2"	200 × 140 × 145	410 × 290 × 300

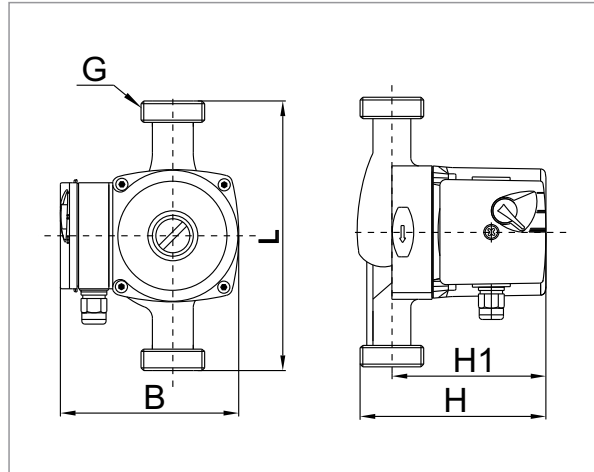
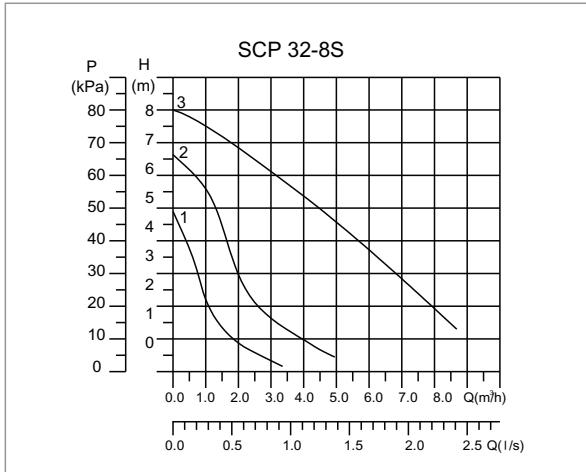
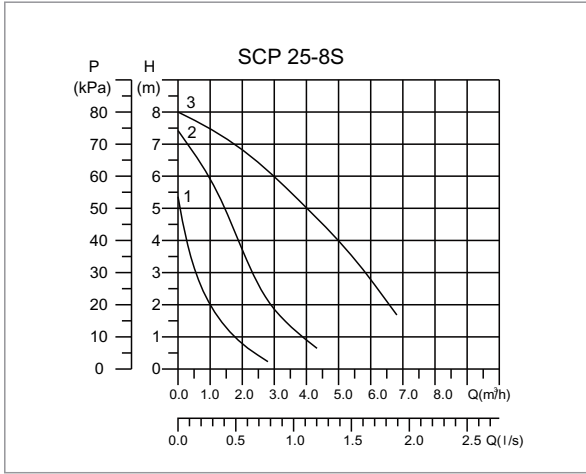
SCP20/25/32-7S



Model	Max. Flow (m³/h)	Rated Power (W)	Rated Current (A)	Power (W)	Voltage (V)		Material of pump housing				
				Input/Output	115	230	Cast Iron Enamelled	Plastic	Copper	Stainless steel	
SCP20-7S	3.5	130/100/70	0.6/0.52/0.42	140/45	●	●	●	○	●	●	●
SCP25-7S	4.0				●	●	●		●	●	
SCP32-7S	4.5				●	●	●				

Model	Dimension					Weight (Kg)		Volume (m³)	Connection/Flange	Package size (mm × mm × mm)	
	L	H	H1	B	G	N.W.	G.W.			Inner box	Outer box
	SCP20-7S	130	130	105	130	1"	2.3	2.7	0.0035	1"-3/4"	170 × 140 × 145
SCP25-7S	130/180	130	105	130	1 1/2"	2.6	3.2	0.0041	1 1/2"-1"	170 × 140 × 145 200 × 140 × 145	350 × 290 × 300 410 × 290 × 300
SCP32-7S	180	130	105	130	2"	2.9	3.8	0.0041	2"-1 1/4" or 1 1/2"	200 × 140 × 145	410 × 290 × 300

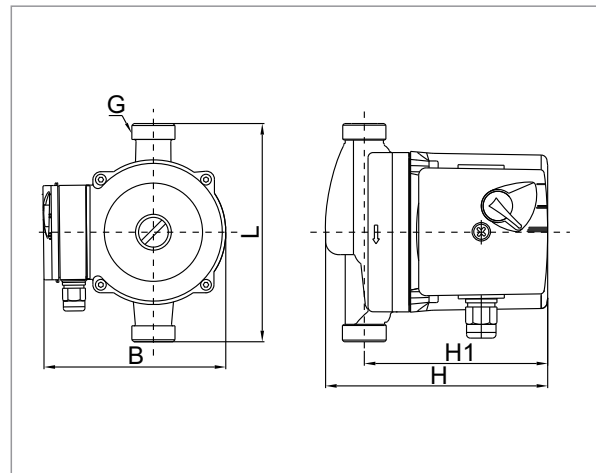
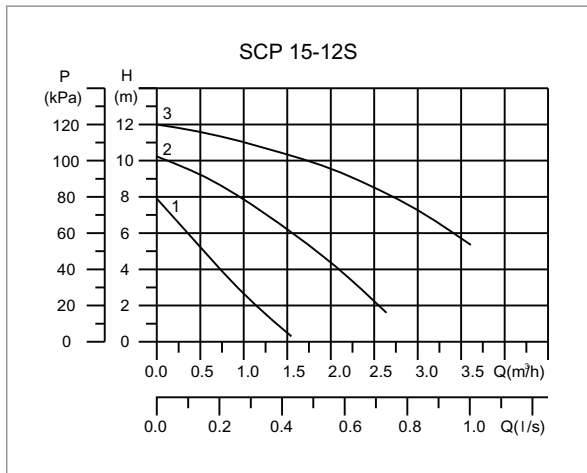
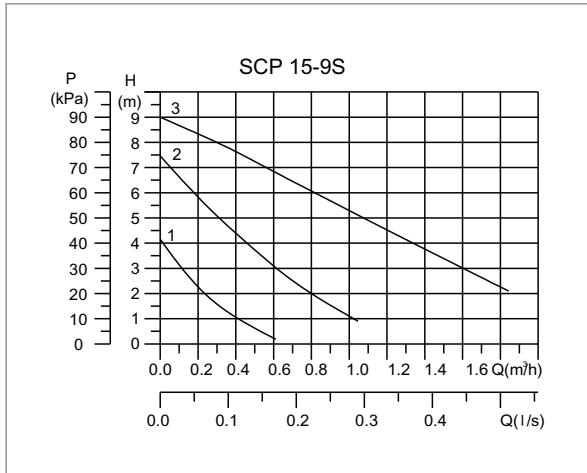
SCP25/32-8S



Model	Max. Flow (m³/h)	Rated Power (W)	Rated Current (A)	Power (W)	Voltage (V)		Material of pump housing				
				Input/Output	115	230	Cast Iron Enamelled	Plastic	Copper	Stainless steel	
SCP25-8S	6	245/190/135	1.1/0.85/0.60	245/90	●	●	●	○	●	●	
SCP32-8S	8				●	●	●			●	

Model	Dimension					Weight (Kg)		Volume (m³)	Connection/Flange	Package size (mm × mm × mm)	
	L	H	H1	B	G	N.W.	G.W.			Inner box	Outer box
SCP25-8S	180	170	130	150	1 1/2"	4.8	5.5	0.0063	1 1/2"-1"	200 × 165 × 190	410 × 340 × 195
SCP32-8S	180	170	130	150	2"	4.6	5.6	0.0063	2"-1 1/4" or 1 1/2"	200 × 165 × 190	410 × 340 × 195

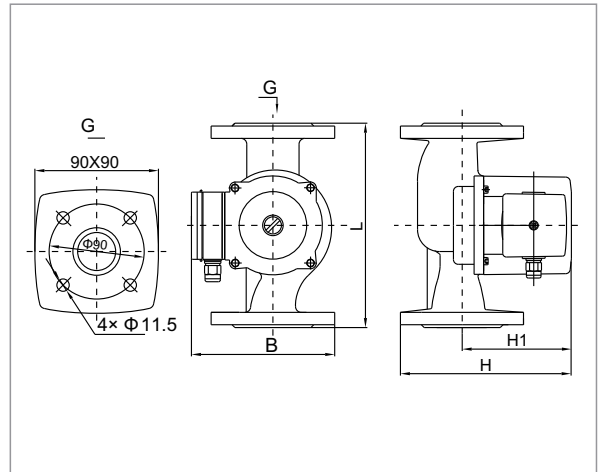
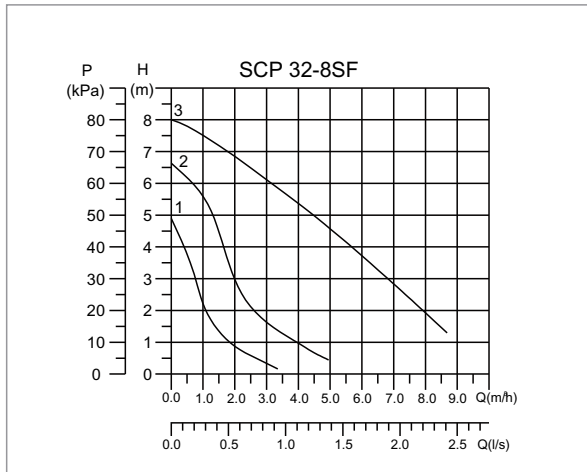
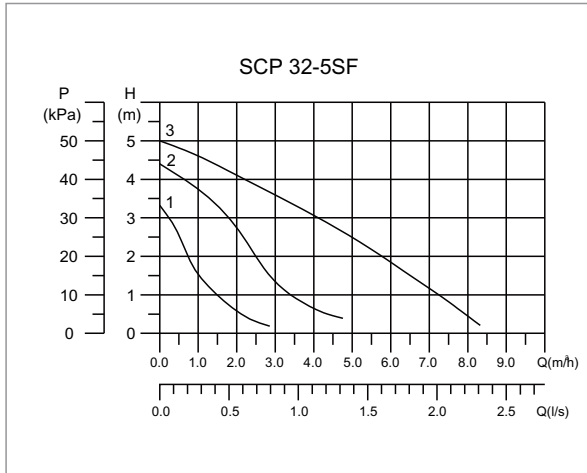
SCP15-9S/15-12S



Model	Max. Flow (m³/h)	Rated Power (W)	Rated Current (A)	Power (W)	Voltage (V)		Material of pump housing				
				Input/Output	115	230	Cast Iron Enamelled	Plastic	Copper	Stainless steel	
SCP15-9S	1.8	120/80/50	0.5/0.4/0.3	120/40	●	●	●	○			
SCP15-12S	3.5	270/240/160	1.2/1.1/0.75	270/120	●	●	●	○			

Model	Dimension					Weight (Kg)		Volume (m³)	Connection/Flange	Package size (mm × mm × mm)	
	L	H	H1	B	G	N.W.	G.W.			Inner box	Outer box
	SCP15-9S	130	130	105	130	3/4"	2.3	2.5	0.0035	3/4"-1/2"	170 × 140 × 145
SCP15-12S	150	150	132	150	3/4"	3.9	4.4	0.0063	3/4"-1/2"	200 × 165 × 190	410 × 340 × 195

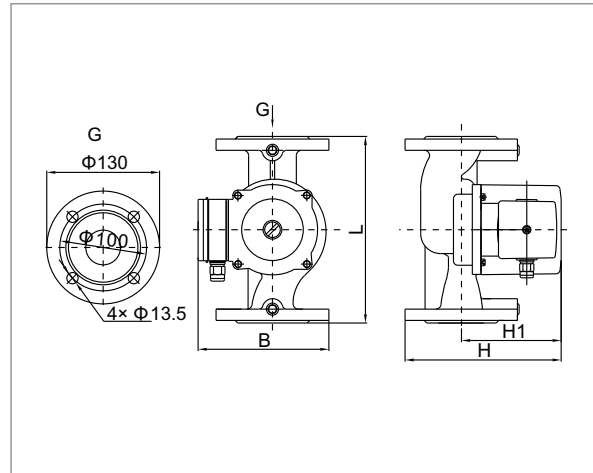
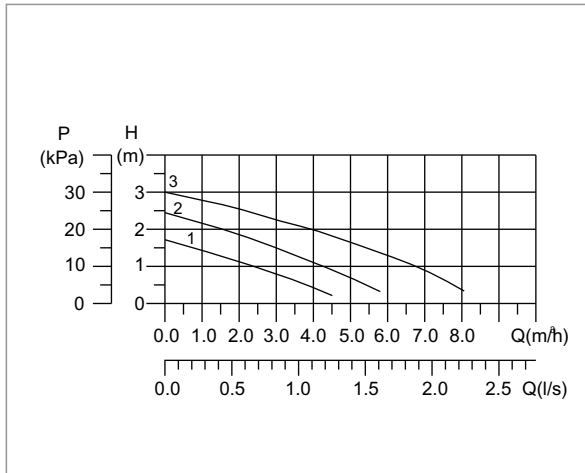
SCP32-8SF/32-5SF



Model	Max. Flow (m³/h)	Rated Power (W)	Rated Current (A)	Power (W)	Voltage (V)		Material of pump housing				
				Input/Output	115	230	Cast Iron Enamelled	Plastic	Copper	Stainless steel	
SCP32-5SF	8	145/135/95	0.65/0.6/0.45	145/60	●	●	●				
SCP32-8SF	8	245/190/135	1.1/0.85/0.60	245/90	●	●	●				

Model	Dimension					Weight (Kg)		Volume (m³)	Connection/Flange	Package size (mm×m m× mm)					
	L	H	H1	B	G	N.W.	G.W.			Inner box		Outer box			
								225×	175×	210	460×	360×	215		
SCP32-5SF	200	185	130	150	DN32	5.2	6.8	0.0083	DN32-G2"	225×	175×	210	460×	360×	215
SCP32-8SF	200	185	130	150	DN32	5.8	7.4	0.0083	DN32-G2"	225×	175×	210	460×	360×	215

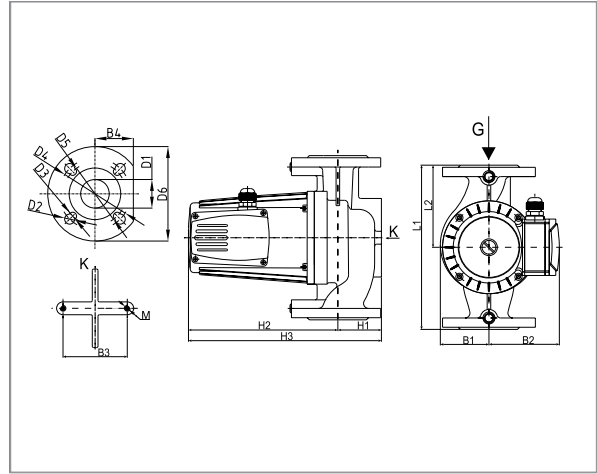
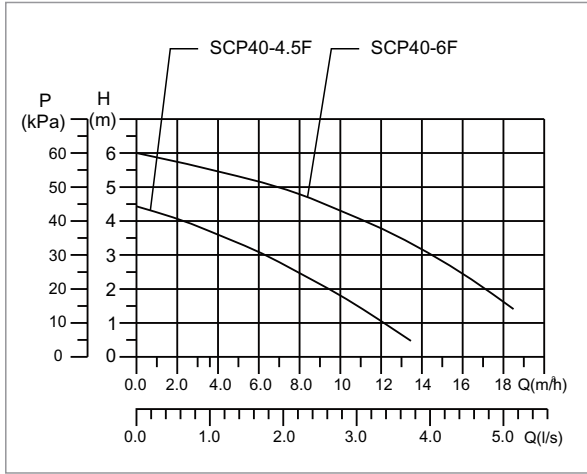
SCP40-3SF



Model	Max. Flow (m³/h)	Rated Power (W)	Rated Current (A)	Power (W)		Material of pump housing				
				Input/Output	115	230	Cast Iron Enamelled	Plastic	Copper	Stainless steel
SCP40-3SF	8	145/120/100	0.65/0.53/0.45	145/60	●	●	●			

Model	Dimension					Weight (Kg)		Volume (m³)	Connection/Flange	Package size (mm×m m× mm)	
	L	H	H1	B	G	N.W.	G.W.			Inner box	Outer box
SCP40-3SF	215	185	120	150	DN40	7.2	7.6	0.009	DN40	240×170×215	490×350×220

SCP40-4.5F/40-6F

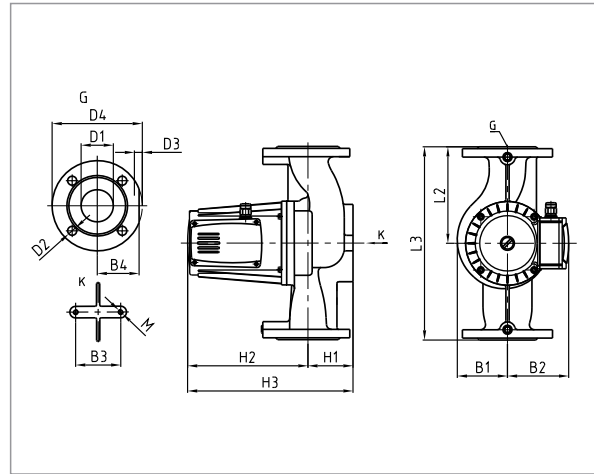
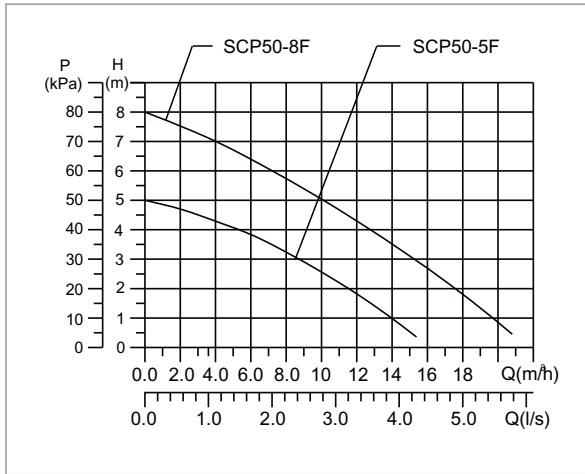


Model	Rated flow (m³/h)	Rated head (m)	Rated Current (A)	Speed (r/min)	Power(W)		Voltage (V)		Material of pump housing		
					Input/Output	115	230	Cast Iron Enamelled	Copper	Stainless steel	
SCP40-4.5F	8	3	1.5	3500	300/150	●	●	●			
SCP40-6F	12.5	4	2.5	3500	500/280		●	●			

Model	Dimension															
	H1	H2	H3	L1	L2	B1	B2	B3	B4	D1	D2	D3	D4	D5	D6	M
SCP40-4.5F	61	189	250	230	115	68	99	90	60	40	13.5	100	130	100	150	M8
SCP40-6F	61	209	270	230	115	68	99	90	60	40	13.5	100	130	100	150	M8

Model	Connection/Flange	Weight (Kg)		Volume (m³)	Package size(mm×m m× mm)	
		N.W.	G.W.		Inner box	Outer box
SCP40-4.5F	DN40	9.5	12.2	0.013	255× 190× 270	265 × 390× 275
SCP40-6F	DN40	10.8	13.5	0.014	255× 190× 290	265 × 390× 295

SCP50-5F/50-8F

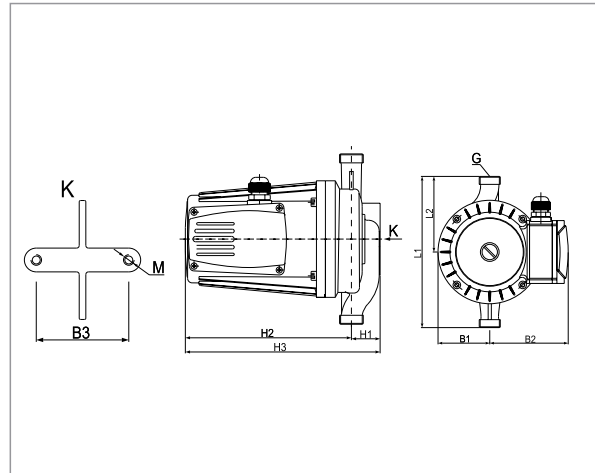
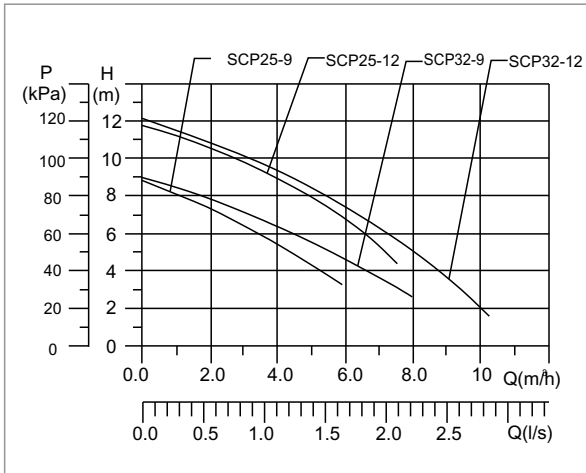


Model	Rated flow (m³/h)	Rated head (m)	Rated Current (A)	Speed (r/min)	Power(W)		Voltage (V)		Material of pump housing		
					Input/Output		115	230	Cast Iron Enamelled	Copper	Stainless steel
SCP50-5F	10	3	1.5	3500	300/150		●	●	●		
SCP50-8F	8	5	2.5	3500	500/280			●	●		

Model	Dimension															
	H1	H2	H3	L1	L2	B1	B2	B3	B4	D1	D2	D3	D4	D5	D6	M
SCP50-5F	72	165	237	250	125	68	154	90	67	50	17.5	13.5	125	110	165	M10
SCP50-8F	72	185	257	250	125	68	154	90	67	50	17.5	13.5	125	110	165	M10

Model	Connection/Flange	Weight (Kg)		Volume (m³)	Package size(mm×m m× mm)
		N.W.	G.W.		
SCP50-5F	DN50	11.6	13	0.021	310 × 200 × 280
SCP50-8F	DN50	13	15	0.021	310 × 200 × 280

SCP25-9/32-9/25-12/32-12

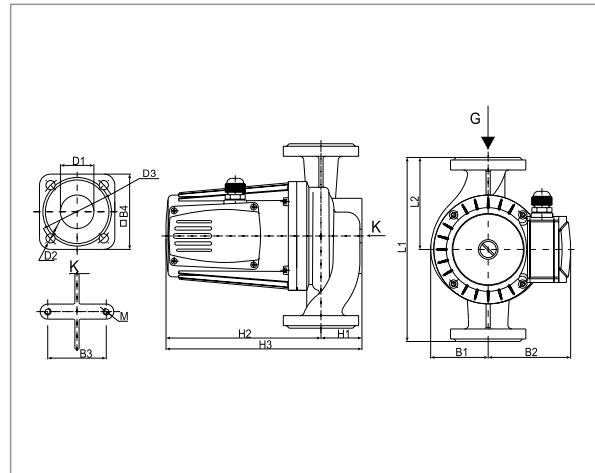
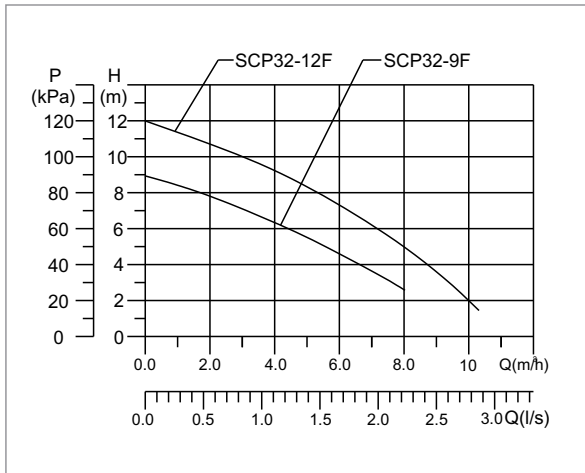


Model	Rated flow (m³/h)	Rated head (m)	Rated Current (A)	Speed (r/min)	Power(W)	Voltage (V)		Material of pump housing		
					Input/Output	115	230	Cast Iron Enamelled	Copper	Stainless steel
SCP25-9	5	5	1.5	3500	300/150	●	●	●		
SCP32-9	5	5	1.5	3500		●	●	●		
SCP25-12	5	8	2.5	3500	500/280		●	●		
SCP32-12	5	8	2.5	3500		●	●	●		

Model	Dimension									Weight (Kg)		Volume (m³)
	H1	H2	H3	L1	L2	B1	B2	B3	M	N.W.	G.W.	
SCP25-9	44	165	209	220	110	68	99	70	M8	6.4	6.8	0.012
SCP32-9	49	165	214	220	110	68	99	70	M8	7	8.1	0.012
SCP25-12	44	185	229	220	110	68	99	70	M8	7.7	8.5	0.013
SCP32-12	49	185	234	220	110	68	99	70	M8	8.4	9.5	0.013

Model	Connection/Flange	Package size(mm×m m mm)	
		Inner box	Outer box
SCP25-9	1 1/4"-3/4"	255×2 00×2 35	520× 410× 240
SCP32-9	2"-1 1/4"or1 1/2"	255×2 00×2 35	520× 410× 240
SCP25-12	1 1/4"-3/4"	255×2 00×2 55	520× 410× 260
SCP32-12	2"-1 1/4"or1 1/2"	255×2 00×2 55	520× 410× 260

SCP32-9F/32-12F

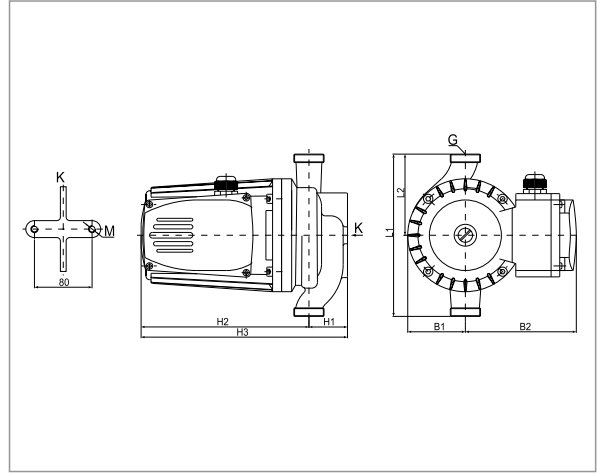
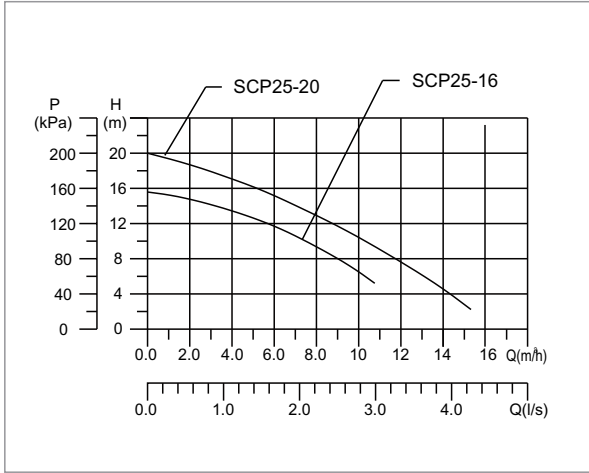


Model	Rated flow (m³/h)	Rated head (m)	Rated Current (A)	Speed (r/min)	Power(W)		Voltage (V)		Material of pump housing		
					Input/Output		115	230	Cast Iron Enamelled	Copper	Stainless steel
SCP32-9F	5	5	1.5	3500	300/150		●	●	●		
SCP32-12F	5	8	2.5	3500	500/280		●	●			

Model	Dimension												
	H1	H2	H3	L1	L2	B1	B2	B3	B4	D1	D2	D3	M
SCP32-9F	49	165	214	220	110	68	99	70	90	40	11.5	90	M8
SCP32-12F	49	185	234	220	110	68	99	70	90	40	11.5	90	M8

Model	Weight (Kg)		Volume (m³)	Connection/Flange	Package size(mm×m m× mm)	
	N.W.	G.W.			Inner box	Outer box
SCP32-9F	8	9.7	0.012	DN32	255× 200× 235	520× 410× 240
SCP32-12F	9.3	10.9	0.013	DN32	255× 200× 255	520× 410× 260

SCP25-16/25-20

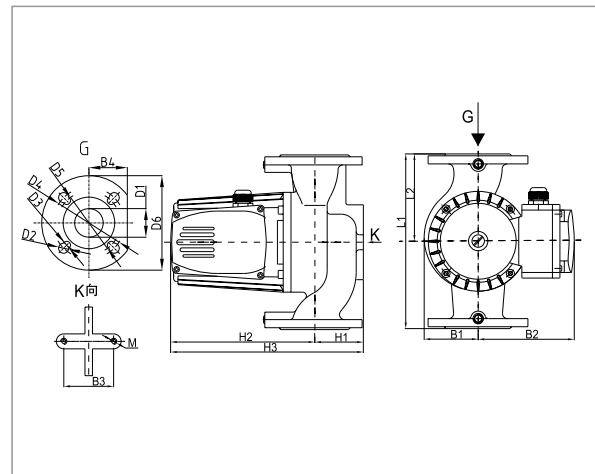
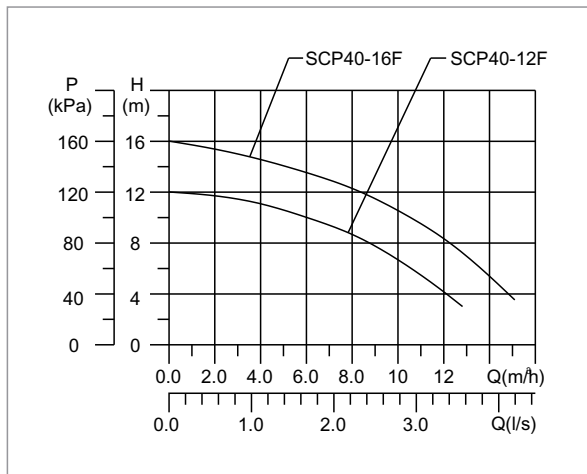


Model	Rated flow (m³/h)	Rated head (m)	Rated Current (A)	Speed (r/min)	Power(W)	Voltage (V)		Material of pump housing		
					Input/Output	115	230	Cast Iron Enamelled	Copper	Stainless steel
SCP25-16	5	12.5	3.4	3500	700/400		●	●		
SCP25-20	5	16	4.9	3500	1000/600		●	●		

Model	Dimension									Weight (Kg)		Volume (m³)
	H1	H2	H3	L1	L2	B1	B2	B3	M	N.W.	G.W.	
SCP25-16	54	232	286	230	115	80	154	80	M8	12.5	13.6	0.026
SCP25-20	54	232	286	230	115	80	154	80	M8	13.4	14.7	0.026

Model	Connection/Flange	Package size(mm×m m× mm)
SCP25-16	1 1/2"-1" or 1 1/4"-3/4"	260×2 60×3 30
SCP25-20	1 1/2"-1" or 1 1/4"-3/4"	260×2 60×3 30

SCP40-12F/40-16F

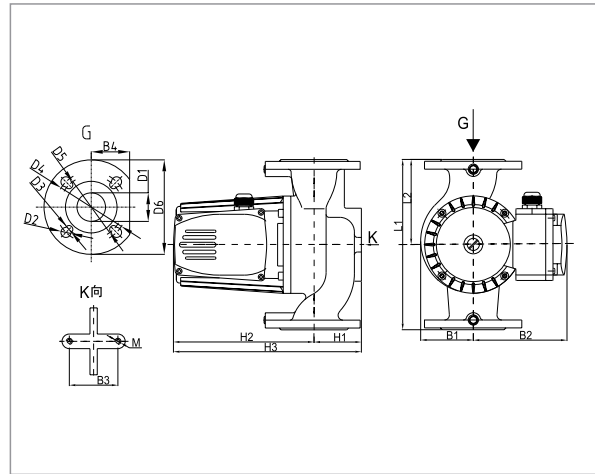
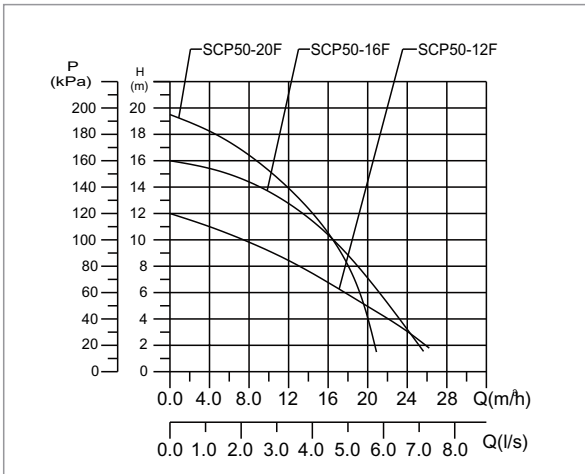


Model	Rated flow (m³/h)	Rated head (m)	Rated Current (A)	Speed (r/min)	Power(W)	Voltage (V)		Material of pump housing		
					Input/Output	115	230	Cast Iron Enamelled	Copper	Stainless steel
SCP40-12F	8	8	3.4	3500	700/400		●	●		
SCP40-16F	8	12.5	4.9	3500	1000/600		●	●		

Model	Dimension															
	H1	H2	H3	L1	L2	B1	B2	B3	B4	D1	D2	D3	D4	D5	D6	M
SCP40-12F	65	232	297	250	125	80	154	80	60	40	17.5	13.5	110	100	150	M10
SCP40-16F	65	232	297	250	125	80	154	80	60	40	17.5	13.5	110	100	150	M10

Model	Weight (Kg)		Volume (m³)	Connection/Flange	Package size(mm×m m× mm)
	N.W.	G.W.			
SCP40-12F	15.3	18.4	0.026	DN40	260×260×330
SCP40-16F	16.9	20	0.026	DN40	260×260×330

SCP50-12F/50-16F/50-20F

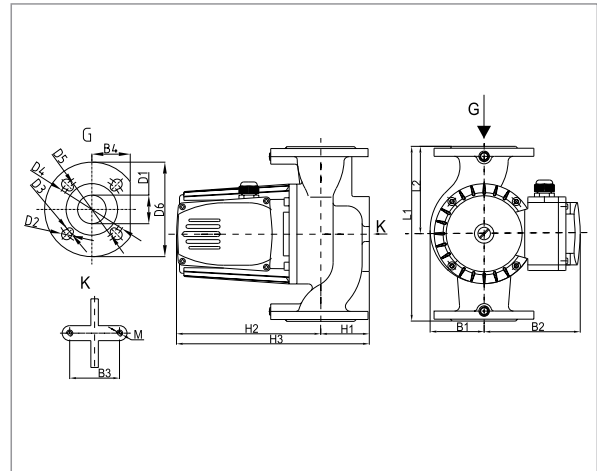
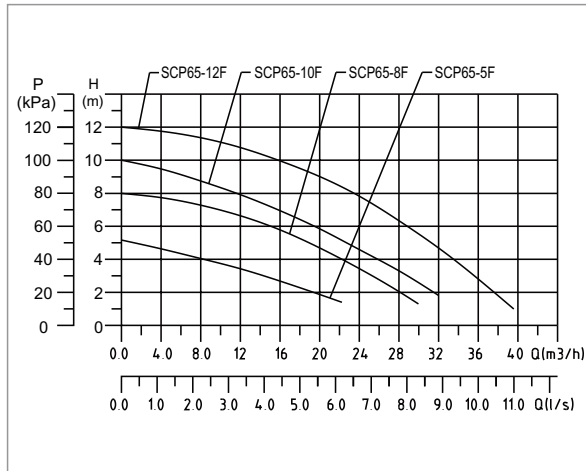


Model	Rated flow (m³/h)	Rated head (m)	Rated Current (A)	Speed (r/min)	Power(W)	Voltage (V)		Material of pump housing		
					Input/Output	115	230	Cast Iron Enamelled	Copper	Stainless steel
SCP50-12F	12.5	8	4.9	3500	1000/600		●	●		
SCP50-16F	12.5	12.5	5.8	3500	1300/850		●	●		
SCP50-20F	8	16	5.8	3500			●	●		

Model	Dimension															
	H1	H2	H3	L1	L2	B1	B2	B3	B4	D1	D2	D3	D4	D5	D6	M
SCP50-12F	72	232	304	280	140	88	154	90	72	50	17.5	13.5	125	110	165	M10
SCP50-16F	72	257	329	280	140	88	154	90	72	50	17.5	13.5	125	110	165	M10
SCP50-20F	72	257	329	280	140	88	154	90	72	50	17.5	13.5	125	110	165	M10

Model	Weight (Kg)		Volume (m³)	Connection/Flange	Package size(mm×m m× mm)
	N.W.	G.W.			
SCP50-12F	17.6	22.4	0.04	DN50	393×3 38×2 93
SCP50-16F	19.6	24.4	0.04	DN50	393×3 38×2 93
SCP50-20F	19.8	24.6	0.04	DN50	393×3 38×2 93

SCP 65-5F/65-8F/65-10F/65-12F

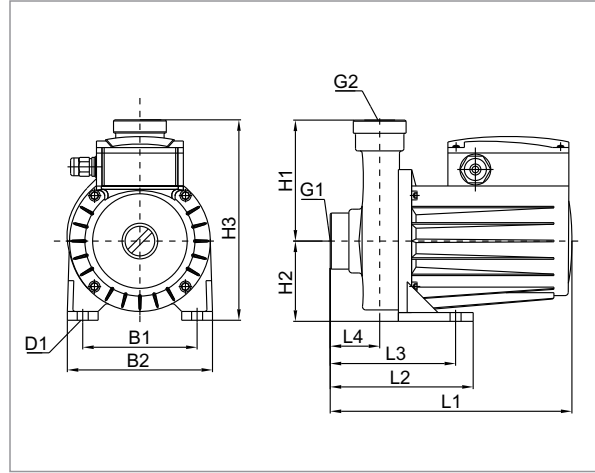
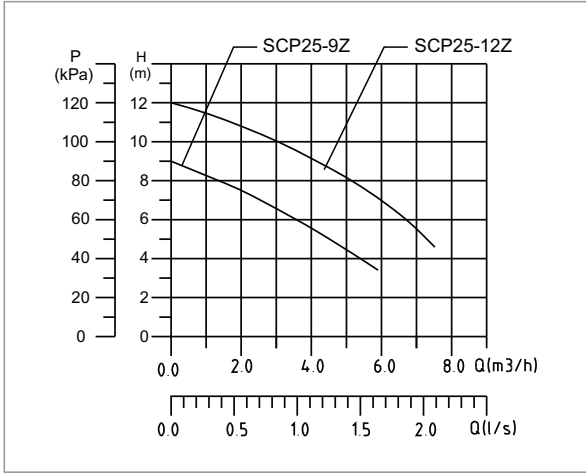


Model	Rated flow (m³/h)	Rated head (m)	Rated Current (A)	Speed (r/min)	Power(W)	Voltage (V)		Material of pump housing			
					Input/Output	115	230	Cast Iron Enamelled	Copper	Stainless steel	
SCP65-5F	15	3	3.4	3500	700/400		●	●			
SCP65-8F	16	6	3.4	3500			●	●			
SCP65-10F	18	7	4.9	3500	1000/600		●	●			
SCP65-12F	20	10	5.8	3500	1300/850		●	●			

Model	Dimension															
	H1	H2	H3	L1	L2	B1	B2	B3	B4	D1	D2	D3	D4	D5	D6	M
SCP65-5F	78	232	310	280	140	88	154	90	76	65	17.5	13.5	145	130	180	M10
SCP65-8F	78	232	310	280	140	88	154	90	76	65	17.5	13.5	145	130	180	M10
SCP65-10F	78	232	310	300	150	93	154	90	76	65	17.5	13.5	145	130	185	M10
SCP65-12F	78	257	335	300	150	93	154	90	76	65	17.5	13.5	145	130	185	M10

Model	Weight (Kg)		Volume (m³)	Connection/Flange	Package size(mm×m m× mm)
	N.W.	G.W.			
SCP65-5F	18	21.5	0.04	DN65	393×3 38×2 93
SCP65-8F	18.2	21.7	0.04	DN65	393×3 38×2 93
SCP65-10F	19.7	24.7	0.042	DN65	393×3 58×2 93
SCP65-12F	21.5	26.5	0.042	DN65	393×3 58×2 93

SCP 25-9Z/25-12Z

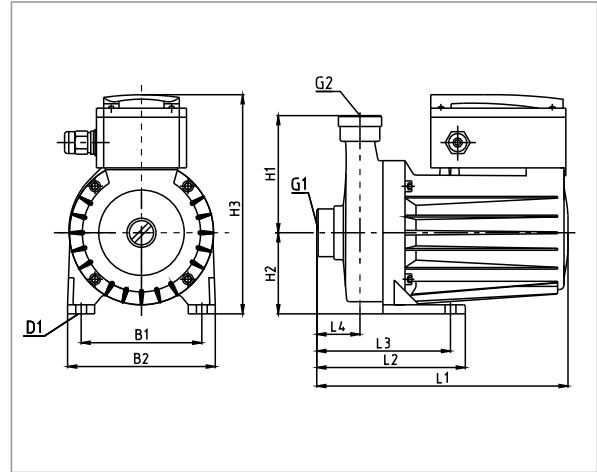
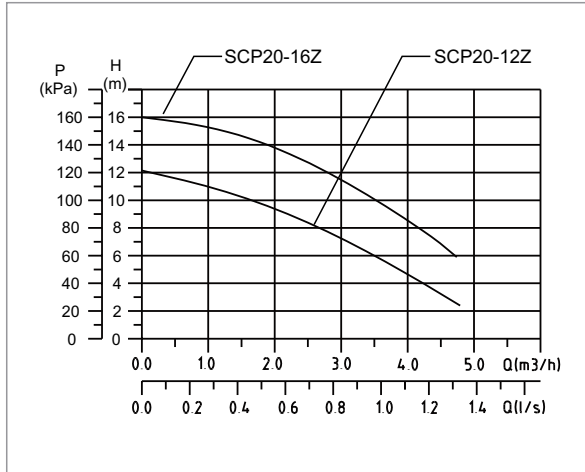


Model	Rated flow (m³/h)	Rated head (m)	Rated Current (A)	Speed (r/min)	Power(W)
					Input/Output
SCP25-9Z	5	5	1.5	3500	300/150
SCP25-12Z	5	8	2.5	3500	500/280

Model	Voltage (V)		Material of pump housing				Package size(mm×m m× mm)	
	115	230	Cast Iron	Enamelled	Copper	Stainless steel	Inner box	Outer box
SCP25-9Z	●	●	●				215× 165× 225	440× 340× 230
SCP25-12Z		●	●				215×1 65×2 45	440×3 40×2 50

Model	Dimension												Weight (Kg)		Volume (m³)
	H1	H2	H3	L1	L2	L3	L4	B1	B2	D1	G1	G2	N.W.	G.W.	
SCP25-9Z	110	72	182	209	130	114	45	104	132	10	1 1/4"	1"	6.5	7.2	0.008
SCP25-12Z	110	72	182	229	130	114	45	104	132	10	1 1/4"	1"	8	8.7	0.009

SCP20-12Z/20-16Z

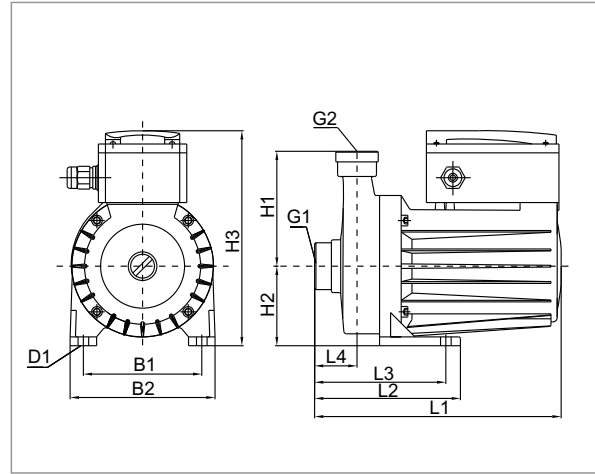
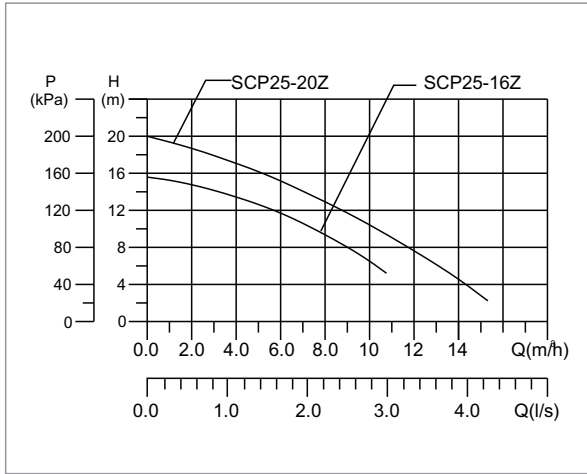


Model	Rated flow (m³/h)	Rated head (m)	Rated Current (A)	Speed (r/min)	Power(W)
					Input/Output
SCP20-12Z	2	8	1.5	3500	300/150
SCP20-16Z	2	12.5	2.5	3500	500/280

Model	Voltage (V)		Material of pump housing				Package size(mm×m m× mm)	
	115	230	Cast Iron	Enamelled	Copper	Stainless steel	Inner box	Outer box
SCP20-12Z	●	●	●	○	●		215× 165× 225	440× 340× 230
SCP20-16Z		●	●	○	●		215×1 65×2 45	440×3 40×2 50

Model	Dimension												Weight (Kg)		Volume (m³)
	H1	H2	H3	L1	L2	L3	L4	B1	B2	D1	G1	G2	N.W.	G.W.	
SCP20-12Z	106	75	181	202	127	92	37	120	145	10	1"	3/4"	6.4	7.1	0.008
SCP20-16Z	106	75	181	222	127	92	37	120	145	10	1"	3/4"	7.8	8.5	0.009

SCP25-16Z/25-20Z

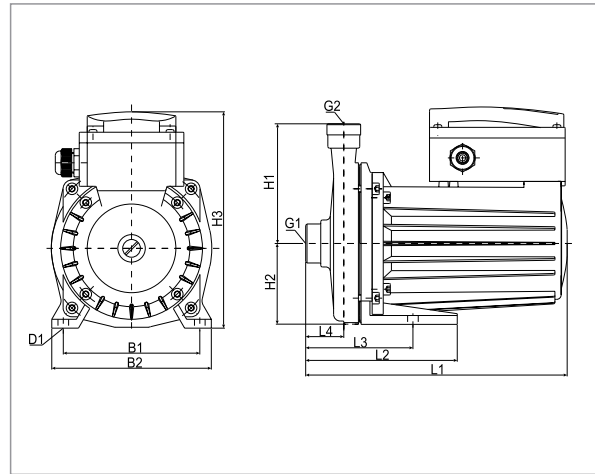
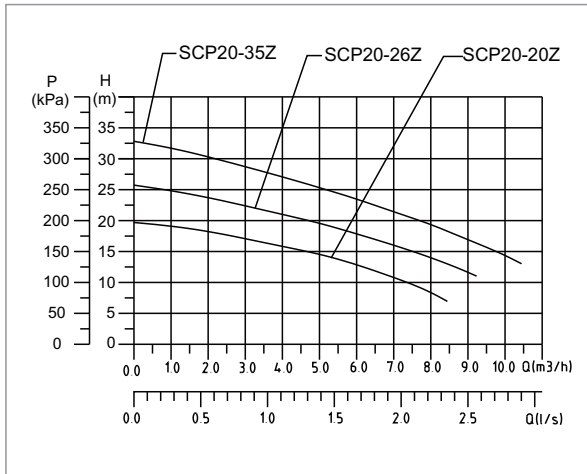


Model	Rated flow (m³/h)	Rated head (m)	Rated Current (A)	Speed (r/min)	Power(W)
					Input/Output
SCP25-16Z	5	12.5	3.4	3500	700/400
SCP25-20Z	5	16	4.9	3500	1000/600

Model	Voltage (V)		Material of pump housing				Package size(mm×m m× mm)
	115	230	Cast Iron	Enamelled	Copper	Stainless steel	
SCP25-16Z		●	●	○			358 × 238 × 298
SCP25-20Z		●	●	○			358 × 238 × 298

Model	Dimension												Weight (Kg)		Volume (m³)
	H1	H2	H3	L1	L2	L3	L4	B1	B2	D1	G1	G2	N.W.	G.W.	
SCP25-16Z	130	90	244	268	165	148	48	134	164	12	1 1/4"	1"	10.6	12.2	0.026
SCP25-20Z	130	90	244	268	165	148	48	134	164	12	1 1/4"	1"	11.6	13.2	0.026

SCP20-20Z/20-26Z/20-35Z

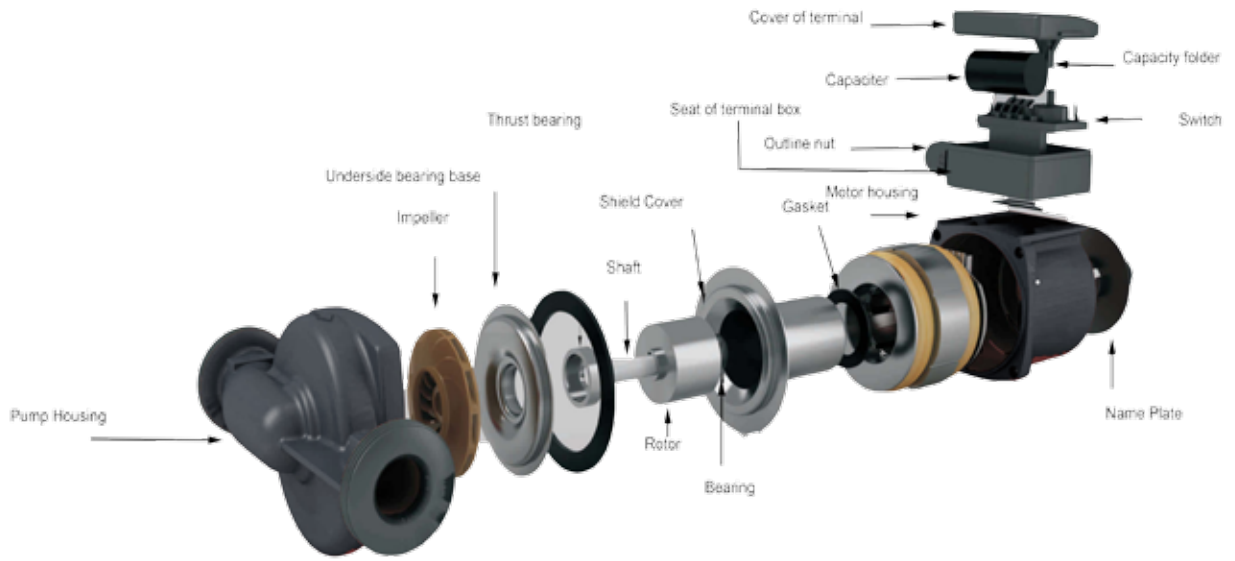


Model	Rated flow (m³/h)	Rated head (m)	Rated Current (A)	Speed (r/min)	Power(W)
					Input/Output
SCP20-20Z	2	16	2.5	3500	700/400
SCP20-26Z	3	20	4.9	3500	1000/600
SCP20-35Z	2	32	5.8	3500	1300/850

Model	Voltage (V)		Material of pump housing				Package size(mm×m m× mm)
	115	230	Cast Iron	Enamelled	Copper	Stainless steel	
SCP20-20Z		●	●	○	●		358 × 238 × 298
SCP20-26Z		●	●	○	●		358 × 238 × 298
SCP20-35Z		●	●	○	●		358 × 238 × 298

Model	Dimension												Weight (Kg)		Volume (m³)
	H1	H2	H3	L1	L2	L3	L4	B1	B2	D1	G1	G2	N.W.	G.W.	
SCP20-20Z	140	91	244	272	171	121	43	154	180	12	1"	3/4"	13.7	15.3	0.026
SCP20-26Z	140	91	244	272	171	121	43	154	180	12	1"	3/4"	14.7	16.3	0.026
SCP20-35Z	140	91	244	295	171	121	43	154	180	12	1"	3/4"	16.7	18.3	0.026

Structure







Swiss Pump Company AG
Moosweg 36
CH - 3645 Thun - Gwatt
Switzerland
Tel. +41 33 223 11 00
Fax +41 33 223 11 22
mail@swisspump.com

www.swisspump.com